



Enterprise Availability System (EAS/AB)

Enterprise Availability System (EAS A/B)

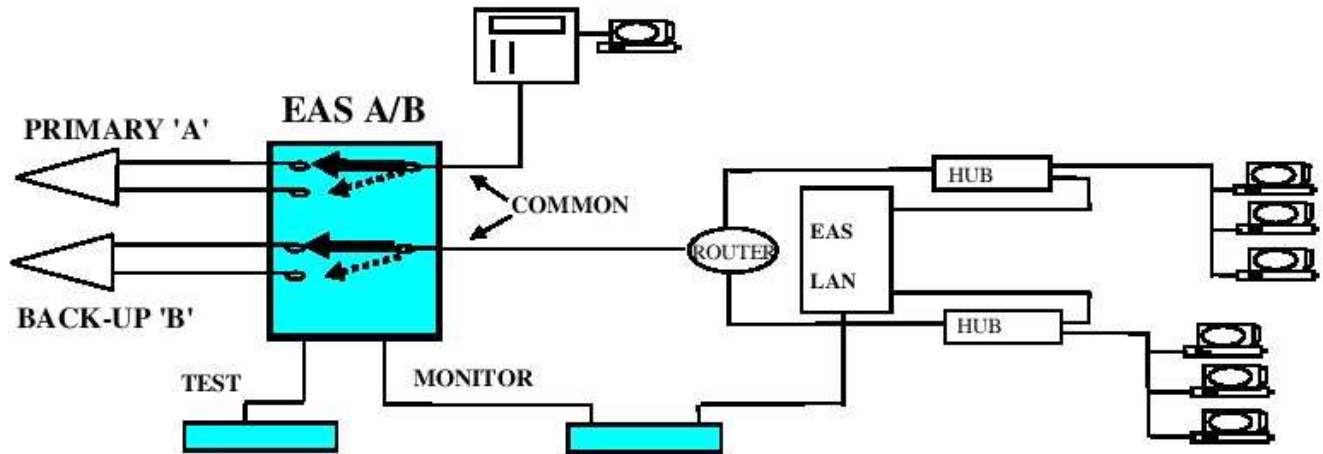
Dynetcom's Enterprise Availability System A/B switch offers both locally and remotely controlled automatic A/B fallback switching. Sophisticated alarm, high speed buffered monitoring, bi-directional test and reconfiguration capabilities are just part of this top of the range product. The product is well suited to "dark site" installations the system can detect and automatically route around faulty links. In conjunction with Dynetcom's Control Console (DCC) GUI network management software the operator can remotely invoke an integral electronic patch either within a single chassis or across chassis in a multiple configuration.

Features

- 16 A/B switch cards per chassis, LAN, V.24, V.35, X.21, RS449, and RS530
- Single channel or group switching
- Latched relays for circuit integrity
- Programmable alarm detect and auto switch over
- 16 Lead buffered monitor bus
- 24 Lead interactive bus
- Manual patch alarm report
- Access to offline B device
- Horizontal and vertical interlock
- DCC GUI software control
- Full interface mix and match
- Master switching of entire chassis
- 2 alarms on 8 interface leads per channel
- Remotely monitor and test simultaneously
- Monitor signals re-driven
- Integral electronic remote patch
- Full front panel control and diagnostics
- Wide range dual power supply
- Self diagnostics



Communication solutions from
NSGDatacom
extend. evolve. innovate.



Specifications:

Physical Connectors:

DTE/DCE (A,B,C) Ports
V.24/RS232—DB25 Female
V.35—M34 Female
Test Bus—Dual DB25 Female
Monitor Bus—Dual DB26 Female
Chassis Control—Dual DB9 Female

Power:

85—264 VAC 47—440 HZ
40 Watts

Physical:

7" (177 mm) H x 19" (483 mm) W x 12.25" (311 mm) D
Weight—35 pounds (16 kg)

NSGDatacom

www.nsgdata.com

3863 Centerview Drive
Chantilly, VA, 20151-3232 USA
Phone: +(1) 703 793 2000
Fax: +(1) 703 793 2001

7435 New Technology Way
Frederick, MD, 21703 USA
Phone: +(1) 301 662 5926
Fax: +(1) 301 694 6279

The Brackens, London Road
Ascot, Berkshire SL5 8BE, UK
Phone: +(44) 1344 893 000
Fax: +(44) 1344 891 990